



INDUSTRIES LTD.

***CBF SERIES
CHEMICAL BY-PASS FEEDER
(POT FEEDER)***

Axiom's Chemical By-Pass Feeder delivers chemicals to any closed loop system. Maintaining a chemically balanced hydronic system has never been easier.

Max Pressure and Temperature: 165psi (1.14MPa) at 200°F (93°C)- 300psi (2.07MPa) models available

Connections: FNPT (3/4")



FEATURES and BENEFITS

- *Allows for safe and easy chemical dosing.*
- *Ball valves for easy chemical dosing and pot feeder isolation*
- *Graduated funnel with stainless steel filter for clean, accurate, and mess free chemical addition*
- *Pressure vessel and fittings made with brass and Carbon steel*
- *2 Gallon (7.6 litre) and 5 Gallon (18.9 litre) models available*
- *Wall bracket available for 2 Gallon (7.6litre) model*
- *5 Gallon (18.9L) model comes with adjustable steel legs.*

AXIOM INDUSTRIES LIMITED 2615 WENTZ AVENUE SASKATOON, SK S7K 5J1
TOLL FREE : (877) 651-1815 PHONE : (306) 651-1815 FAX : (306) 242-3373

www.axiomind.com

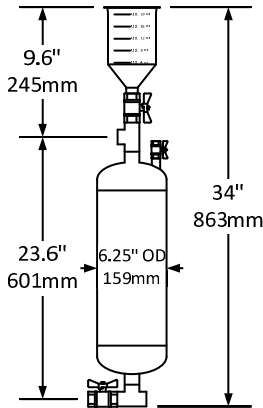


INDUSTRIES LIMITED

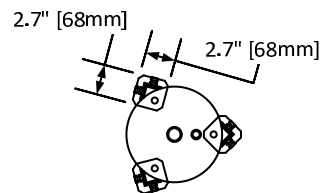
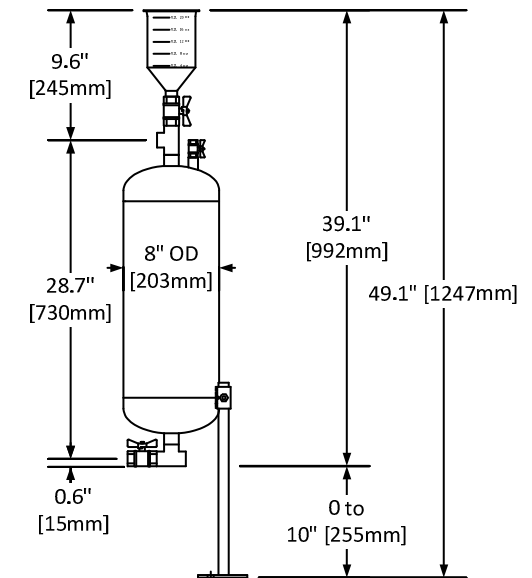
	Model	Size	Pressure Vessel Volume	Max Pressure
<input type="checkbox"/>	CBF-2	3/4"	2 gal (7.6L)	165psi (1.14MPa)
<input type="checkbox"/>	CBF-5	3/4"	5 gal (18.9L)	165psi (1.14MPa)

SPECIFICATION

Chemical By-Pass Feeder shall be AXIOM INDUSTRIES LTD. model CBF-_____. System shall include carbon steel chemical by-pass feeder, two 3/4" NPT carbon steel tees, four 3/4" NPT carbon steel nipples, two 3/4" NPT brass ball valves, 1/4" NPT brass ball valve, and 20 US oz.(600 mL) polyethylene graduated funnel with integral 20 mesh strainer, and 3/4" NPT connection. The CBF series pot feeder is not for use with potable water. Model CBF-5 series comes with three 17.6" (44.7cm) long adjustable steel legs.



CBF-2



CBF-5

ACCESSORIES

- CBF-B** – Wall mount bracket for the CBF-2

LIMITED WARRANTY

The Axiom CBF Chemical By-Pass Feeder is warranted against defects in materials and workmanship for one year.

Project _____ Location _____

Consultant _____ Contractor _____

Unit Tag _____ Sales Agent _____