



Specification:

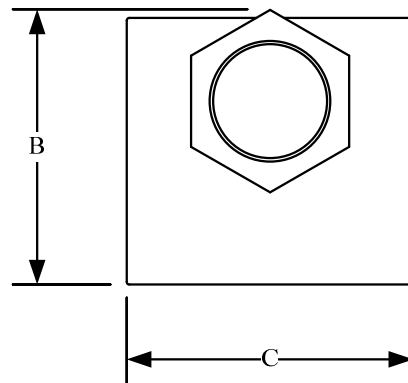
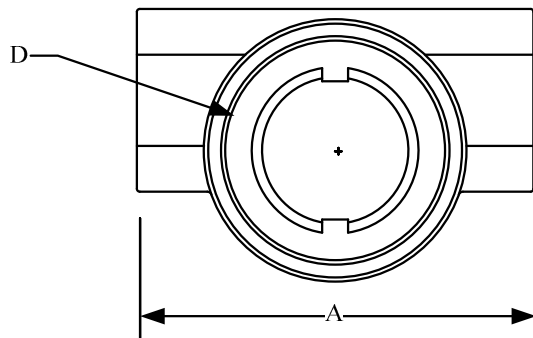
AXIOM Industries Sight Flow Indicator: ASFI

Max temperature	200°F (93°C)
Max pressure	125psi (860kPa)
Connection	Threaded FNPT size 3/4" or 1"
Compatible fluids	Water, propylene and ethylene glycol, methanol and ethanol in concentrations up to 50%. Not for potable water.

Body	Brass (JIS YBSC3)
O-Ring	EPDM
Window	Tempered borosilicate glass
Cage	S.S. 304
Ball	TPX
Washer	Cork (non-wetted part)

DIMENSIONS

Size	Part #	Max. pressure	A	B	C	D
3/4"	ASFI-075	125psi (860kPa)	3.6" [92mm]	2.5" [63mm]	2.6" [67mm]	2" [51mm]
1"	ASFI-100	125psi (860kPa)	3.6" [92mm]	2.5" [63mm]	2.6" [67mm]	2" [51mm]



OPTION

ASFI-K – Seal replacement kit includes: 2 glass windows, O-rings, cork gaskets, and opening tool