

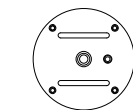
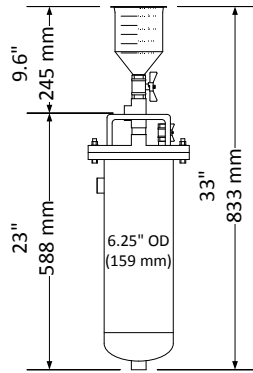


# INDUSTRIES LIMITED

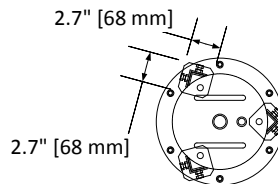
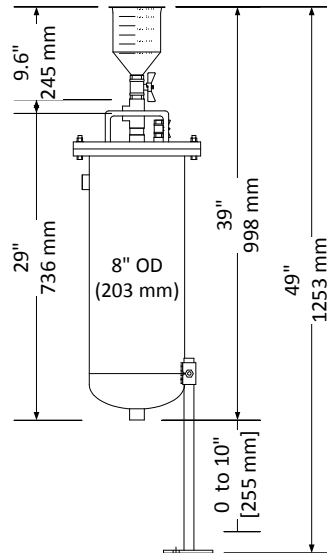
	Model	Size	Pressure Vessel Volume	Max Pressure
<input type="checkbox"/>	<b>CBF-2-HP</b>	¾"	2 gal (7.6L)	300psi (2.07MPa)
<input type="checkbox"/>	<b>CBF-5-HP</b>	¾"	5 gal (18.9L)	300psi (2.07MPa)

## SPECIFICATION

Chemical By-Pass Feeder shall be AXIOM INDUSTRIES LTD. model CBF-\_\_\_\_\_-HP. System shall include carbon steel chemical by-pass feeder, ¾" NPT carbon steel tee, two ¾" NPT carbon steel nipples, ¾" NPT brass ball valve, 1/4" NPT brass ball valve, and 20 US oz.(600 mL) polyethylene graduated funnel with integral 20 mesh strainer and ¾" NPT connection. The CBF series pot feeder is not for use with potable water. Model CBF-5-HP series comes with three 17.6" (44.7cm) long adjustable steel legs.



CBF-2-HP



CBF-5-HP

## ACCESSORIES

- CBF-B** – Wall mount bracket for the CBF-2 or CBF-2-HP

## LIMITED WARRANTY

The Axiom CBF Chemical By-Pass Feeder is warranted against defects in materials and workmanship for one year.

Project \_\_\_\_\_ Location \_\_\_\_\_  
 Consultant \_\_\_\_\_ Contractor \_\_\_\_\_  
 Unit Tag \_\_\_\_\_ Sales Agent \_\_\_\_\_